

5748678-4 ✓ ACTIVE

AMPLIMITE | AMPLIMITE Kit

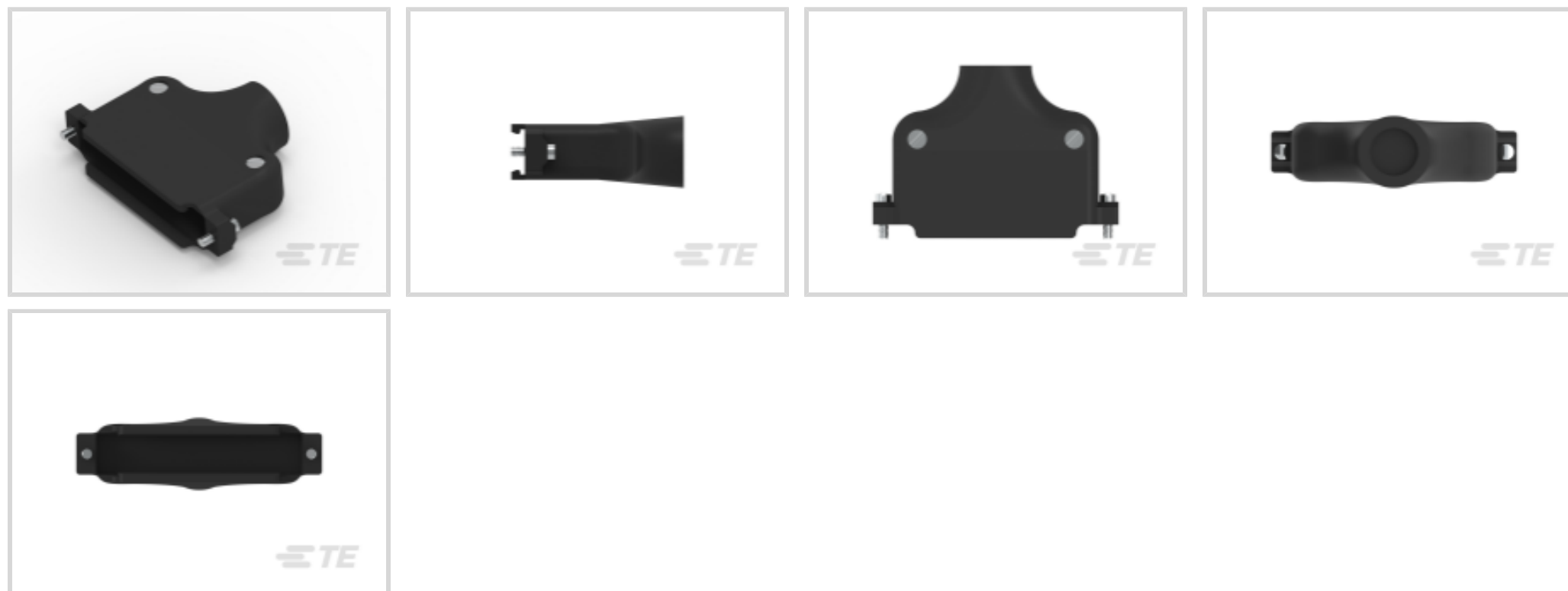
TE Internal #: 5748678-4

D-Sub Backshells & Clamps, Cable Clamp Kit, Two-Piece RFI/EMI Shield, Size 4, Cable Exit Angle 180° (In-Line), AMPLIMITE Kit

[View on TE.com >](#)



Connectors > D-Shaped Connectors > D-Sub Accessories > D-Sub Backshells & Clamps



D-Shaped Connector Accessories: **Cable Clamp Kit**

Cable Clamp Type: **Two-Piece RFI/EMI Shield**

Compatible With Connector Shell Size: **4**

Shielded: **No**

Cable Insulation Diameter Range: **6.48 – 11.94 mm [.255 – .47 in]**

Features

Product Type Features

Grommets	With
Product Type	Accessory
D-Shaped Connector Accessories	Cable Clamp Kit

Body Features

Shield Plating Material	None
Cable Clamp Material	ABS
Color	Black
Grommets per Set	6
Cable Clamp Type	Two-Piece RFI/EMI Shield
Cable Exit Angle	180° (In-Line)

Mechanical Attachment

Screw & Hole Thread Size	4-40
--------------------------	------

Dimensions

Cable Insulation Diameter Range	6.48 – 11.94 mm [.255 – .47 in]
---------------------------------	---------------------------------



Operation/Application

Compatible With Connector Shell Size	4
Shielded	No

Packaging Features

Packaging Quantity	1
Packaging Method	Kit

Other

Comment	Jackscrews must be purchased separately.
---------	--

Product Compliance

[For compliance documentation, visit the product page on TE.com>](#)

EU RoHS Directive 2011/65/EU	Compliant
EU ELV Directive 2000/53/EC	Compliant
China RoHS 2 Directive MIIT Order No 32, 2016	No Restricted Materials Above Threshold
EU REACH Regulation (EC) No. 1907/2006	Current ECHA Candidate List: JUNE 2022 (224) Candidate List Declared Against: JUL 2021 (219) Does not contain REACH SVHC
Halogen Content	Not Low Halogen - contains Br or Cl > 900 ppm.
Solder Process Capability	Not applicable for solder process capability

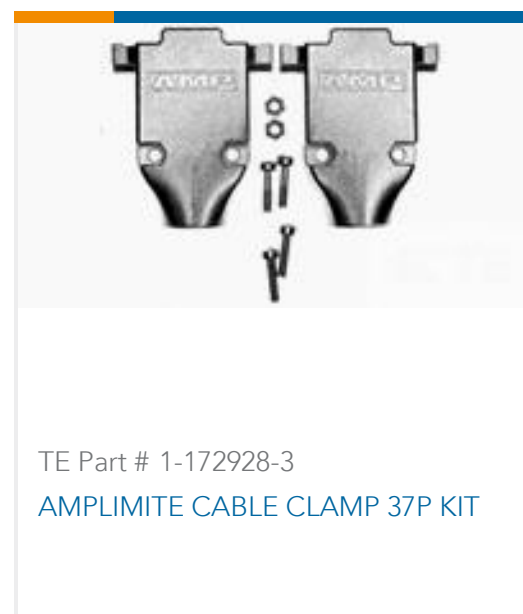
Product Compliance Disclaimer

This information is provided based on reasonable inquiry of our suppliers and represents our current actual knowledge based on the information they provided. This information is subject to change. The part numbers that TE has identified as EU RoHS compliant have a maximum concentration of 0.1% by weight in homogenous materials for lead, hexavalent chromium, mercury, PBB, PBDE, DBP, BBP, DEHP, DIBP, and 0.01% for cadmium, or qualify for an exemption to these limits as defined in the Annexes of Directive 2011/65/EU (RoHS2). Finished electrical and electronic equipment products will be CE marked as required by Directive 2011/65/EU. Components may not be CE marked. Additionally, the part numbers that TE has identified as EU ELV compliant have a maximum concentration of 0.1% by weight in homogenous materials for lead, hexavalent chromium, and mercury, and 0.01% for cadmium, or qualify for an exemption to these limits as defined in the Annexes of Directive 2000/53/EC (ELV). Regarding the REACH Regulation, the information TE provides on SVHC in articles for this part number is based on the latest European Chemicals Agency (ECHA) 'Guidance on requirements for substances in articles' posted at this URL: <https://echa.europa.eu/guidance-documents/guidance-on-reach>

Compatible Parts



TE Part # 1-745497-5
37 HDE MS RCPT, 22-26, LEAD FREE



TE Part # 1-172928-3
AMPLIMITE CABLE CLAMP 37P KIT



TE Part # 745530-4
37 POS COVER KIT

Also in the Series | AMPLIMITE Kit



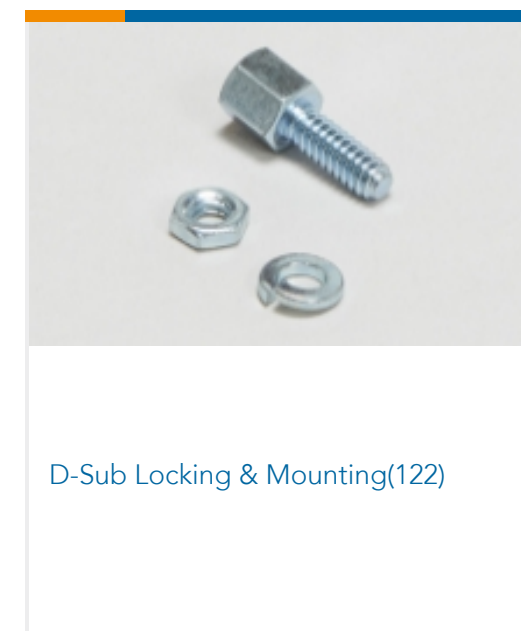
D-Sub Backshells & Clamps(135)



D-Sub Contact Accessories(1)



D-Sub Covers(3)



D-Sub Locking & Mounting(122)

Documents

Product Drawings

2 PC PLST CBL CLMP KIT

English

CAD Files

3D PDF

English

Customer View Model

[ENG_CVM_5748678-4_O.2d_dxf.zip](#)

English

Customer View Model

[ENG_CVM_5748678-4_O.3d_igs.zip](#)

English

Customer View Model

[ENG_CVM_5748678-4_O.3d_stp.zip](#)

English

By downloading the CAD file I accept and agree to the [Terms and Conditions](#) of use.

Datasheets & Catalog Pages

AMPLIMITE Subminiature D Connectors - Cable Connectors

English

AMPLIMITE Cable Connectors and Shielding Hardware Kits QRG

English

Instruction Sheets



[Instruction Sheet \(U.S.\)](#)

English